

GAUGE HATCH COVER

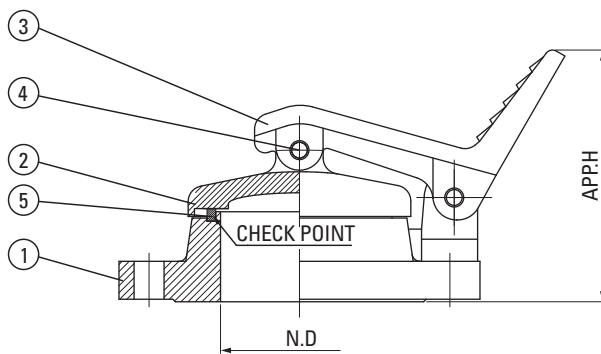
KSGE



GENERAL DESCRIPTION

The Sampling and Gauging Hatch Cover of the Model KSGE type are designed, manufactured and tested according to the KSPC standard code.

The Model KSGH is made to take the fluid samples from the storage tank, to measure the temperature, and to take test of the stored fluids.



KSGE TYPE

Dimension Table

Unit = mm

SIZE	3"	4"	6"	8"	10"	12"
N.D	80	100	150	200	250	300
APP.H	150	160	187	206	229	252

Materials of Construction

1	BODY	B26-319.F	A216-WCB	A351-CF8	A351-CF8M
2	COVER	B26-319.F	A216-WCB	A351-CF8	A351-CF8M
3	PADDLE	B26-319.F	A216-WCB	A351-CF8	A351-CF8M
4	PIN	SS304	SS304	SS304	SS316
5	SEAL GASKET	TEFLON			